

NOTE TO USERS

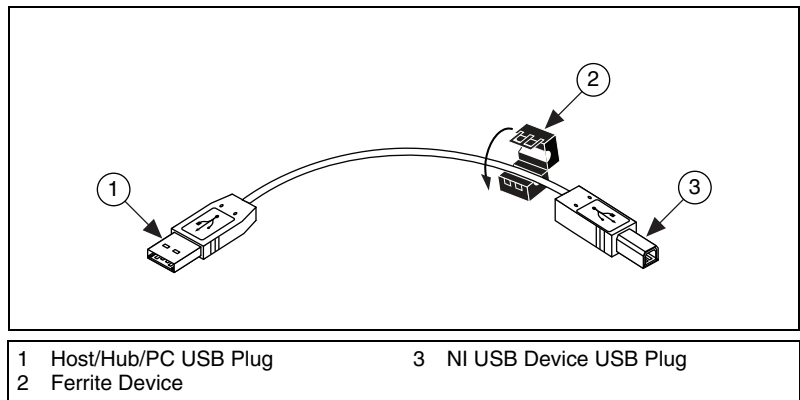
Ferrite Installation for USB Devices

This guide describes how to install a simple snap-on noise-suppression device, called a ferrite, onto your interface cables to attain a desired level of electromagnetic compatibility (EMC). To ensure that your National Instruments hardware meets all EMC standards applicable to your country, you need to install a noise-suppression ferrite device (included in shipping kit) onto the external USB cable of the NI USB device.

Your National Instruments hardware should already be installed and the external cables connected. Power to the National Instruments hardware should be off while installing ferrites on your external cables.



Note To install the ferrite, snap it closed around your interface cable as close as possible to where the interface cable plugs into the National Instruments USB device. Placing the ferrite elsewhere on the cable noticeably reduces its effectiveness.



National Instruments, NI, ni.com, and LabVIEW are trademarks of National Instruments Corporation. Refer to the *Terms of Use* section on ni.com/legal for more information about National Instruments trademarks. Other product and company names mentioned herein are trademarks or trade names of their respective companies. For patents covering National Instruments products, refer to the appropriate location: **Help»Patents** in your software, the `patents.txt` file on your CD, or ni.com/patents.